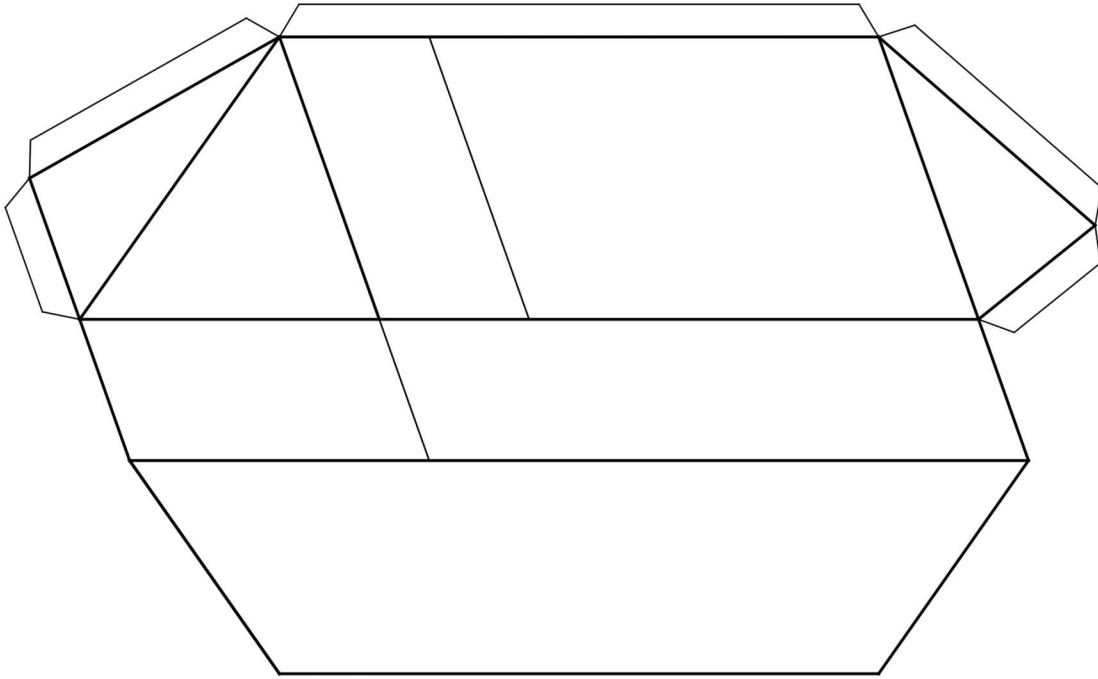
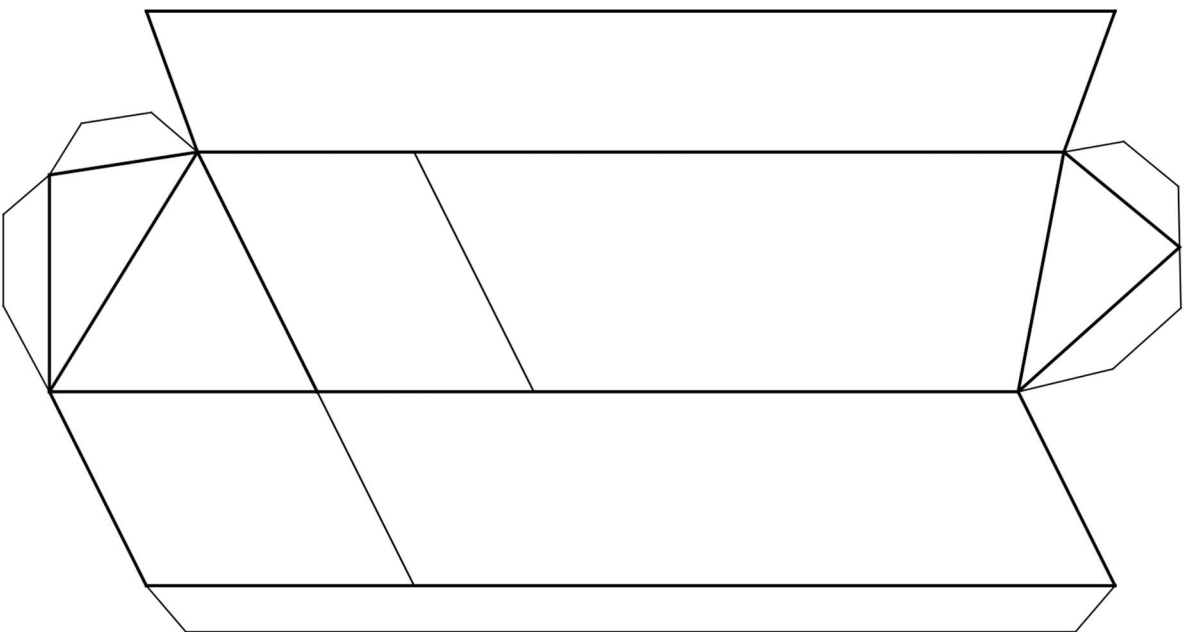


Cutout plans for cardboard realizations of split-prism puzzles.

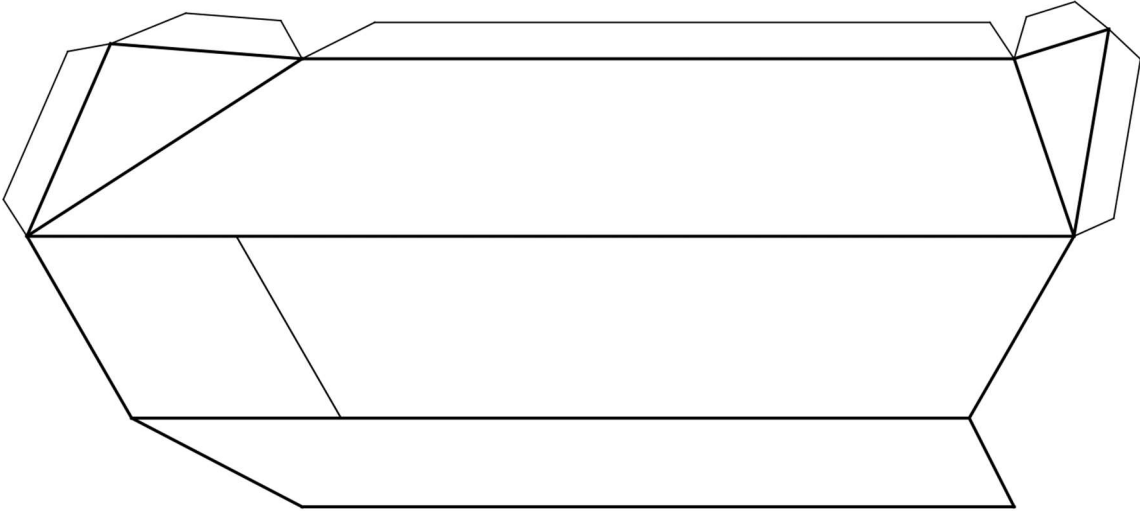
Scorpius (invented by Stewart T Coffin): 24 required



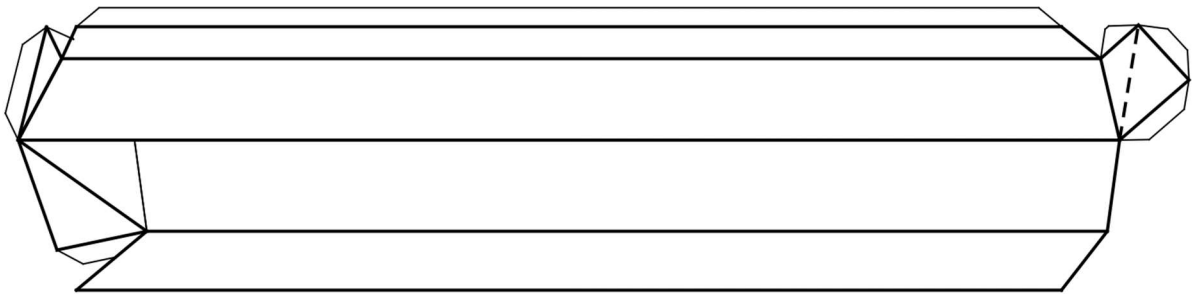
Jupiter (invented by Stewart T Coffin): 60 required



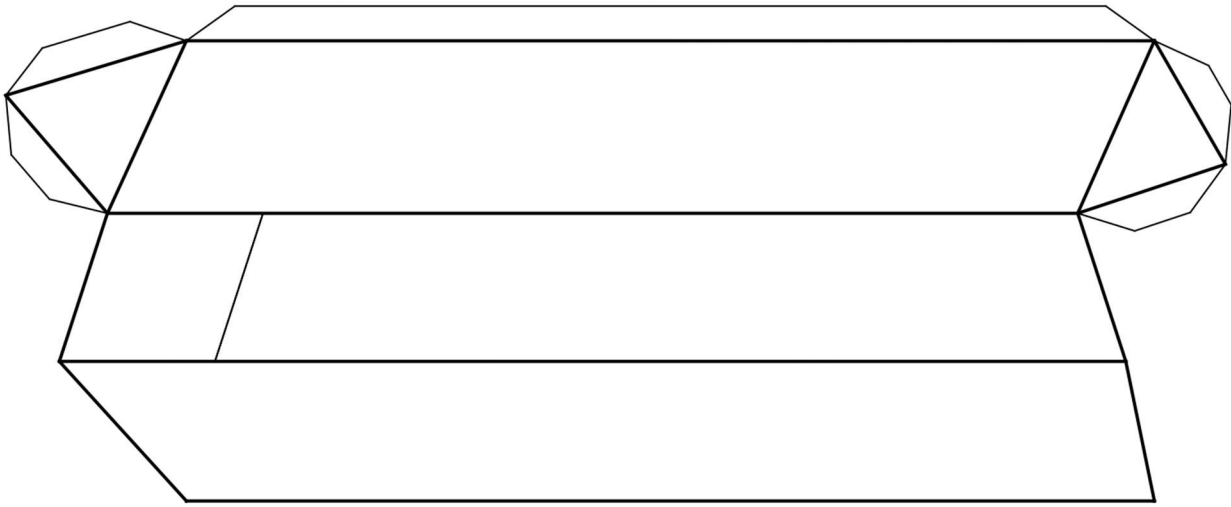
4 triangles in 12 identical pieces (B Patterson): 24 required



5 tetrahedra in 20 identical pieces (B Patterson): (60 required)



6 pentagons in 30 identical pieces (B Patterson): (60 required)



10 triangles in 30 identical pieces (B Patterson): (60 required)

